

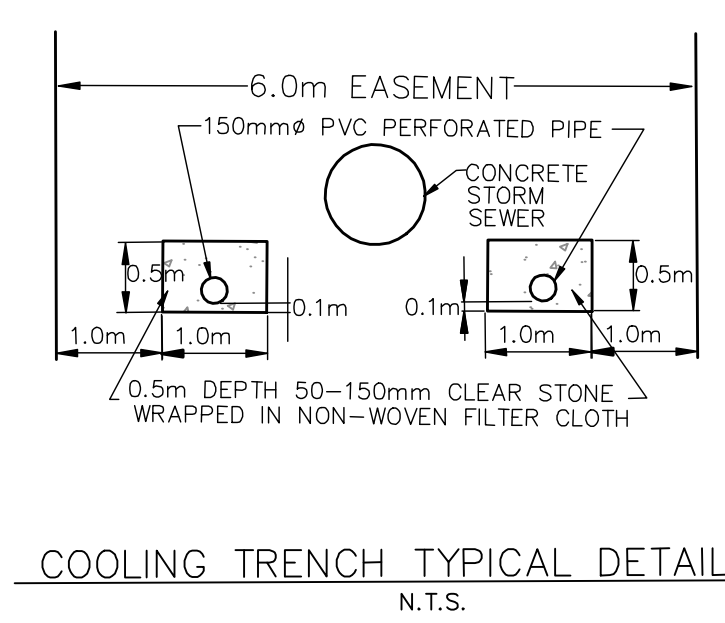
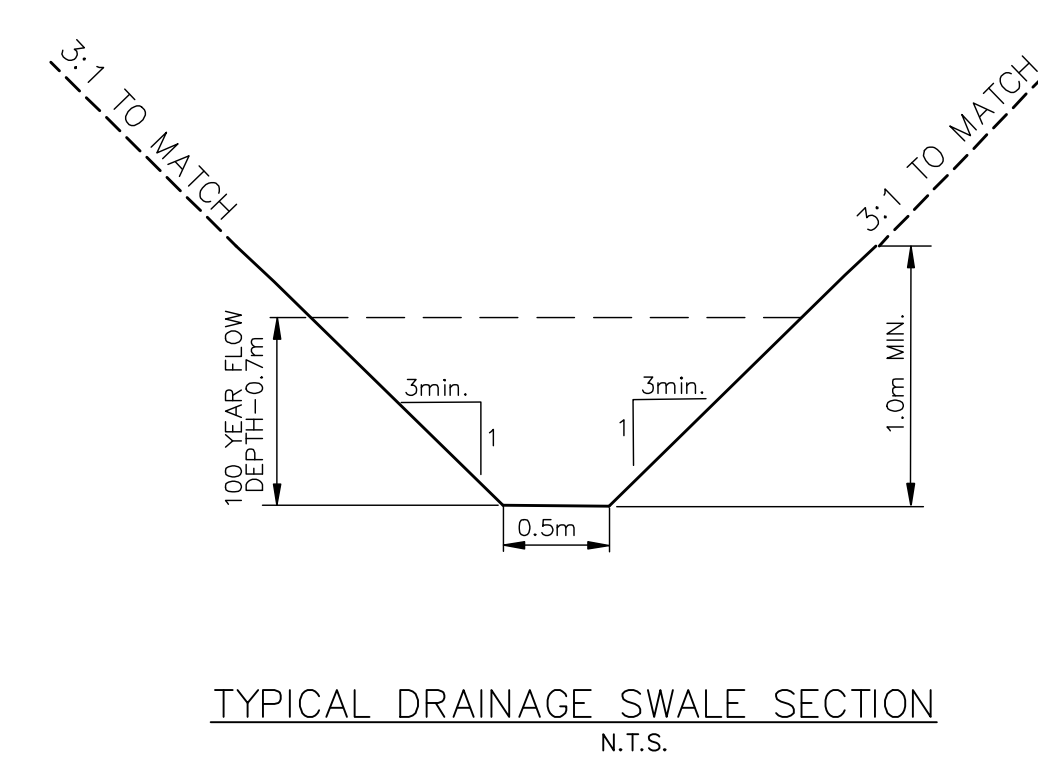
REVISED MARCH 2007

TOWN OF HALTON HILLS
REGIONAL MUNICIPALITY OF HALTON

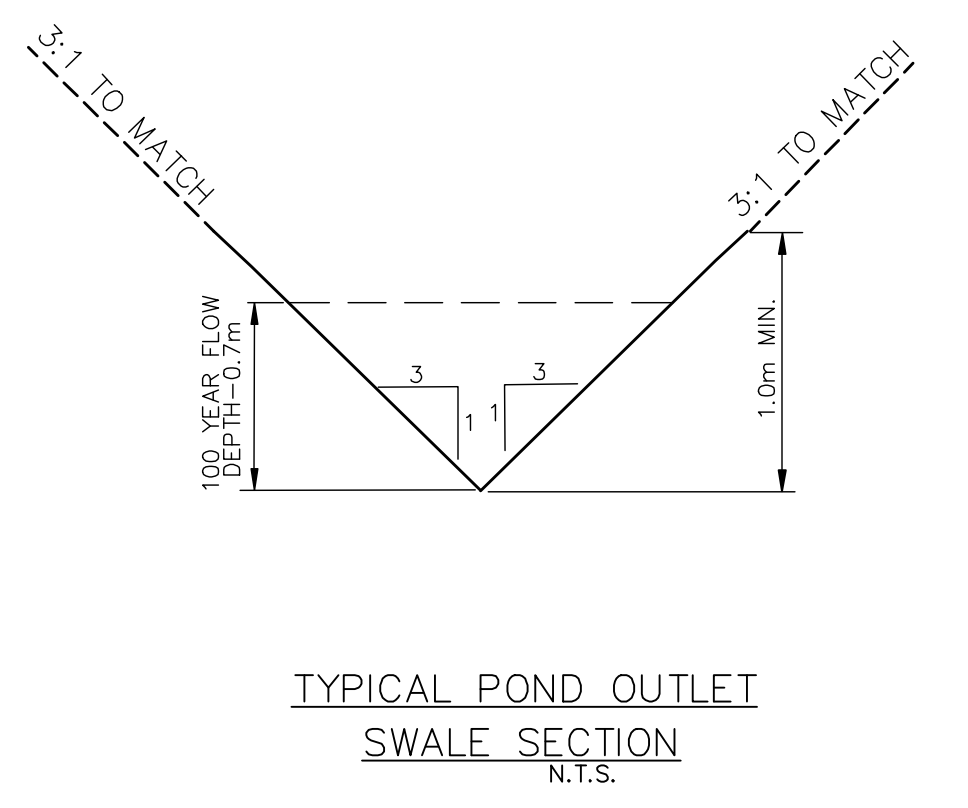
401/STEELES EMPLOYMENT LANDS
FUNCTIONAL SERVICING AND
GRADING PLAN—OPTION 2



DATE : JUNE, 2006	DRAWN BY : S.Y.	PROJECT No. 06157
SCALE : 1 : 2000	DESIGNED BY : T.D.	CSP—2
	CHECKED BY : K.C.	



NOTE:
THE LAYOUT OF THE PROPOSED ROADS, SEWERS, CHANNELS, EASEMENTS, AND WATERMAINS ALONG WITH THE STORMWATER MANAGEMENT FACILITY AND ASSOCIATED INFRASTRUCTURE ARE CONCEPTUAL IN NATURE, INTENDED TO ILLUSTRATE THE SERVICEABILITY OF THE SUBJECT SITE



- LEGEND**
- PROPOSED SANITARY SEWER
 - - - FUTURE SANITARY SEWER
 - · · · · EXISTING SANITARY SEWER
 - PROPOSED STORM SEWER
 - - - PROPOSED CLEAN WATER STORM SEWER
 - PROPOSED WATERMAIN
 - - - FUTURE WATERMAIN
 - · · · · EXISTING WATERMAIN
 - PROPOSED ROAD GRADE
 - - - PROPOSED STORM OVERT
 - · · · · PROPOSED SANITARY OVERT
 - · · · · PROPOSED CLEANWATER OVERT
 - PROPERTY BOUNDARIES
 - - - REGIONAL FLOODLINE
 - FILL LINE
 - DRAINAGE SWALE