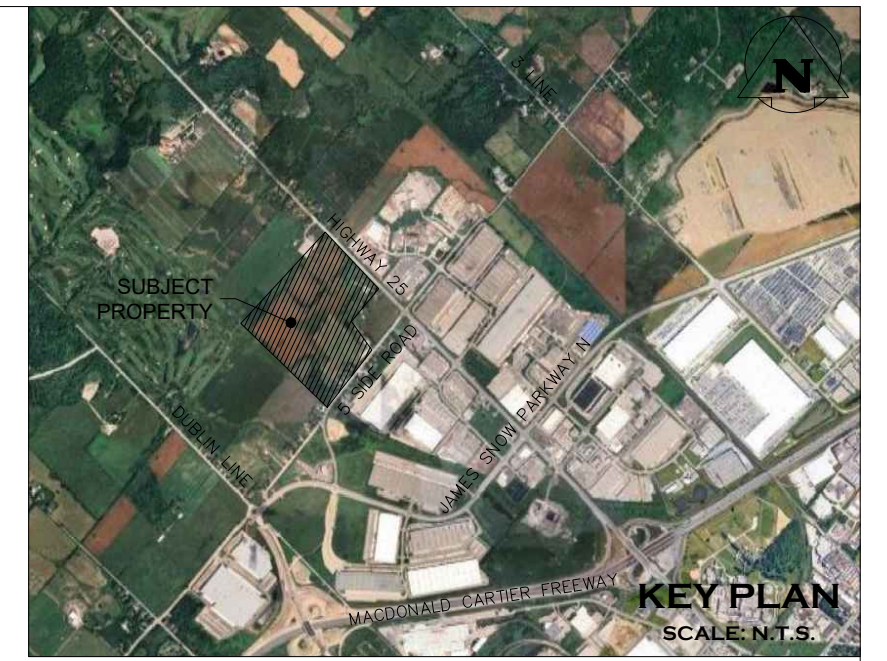
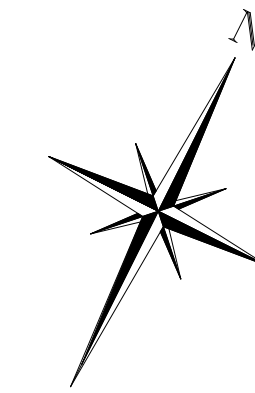
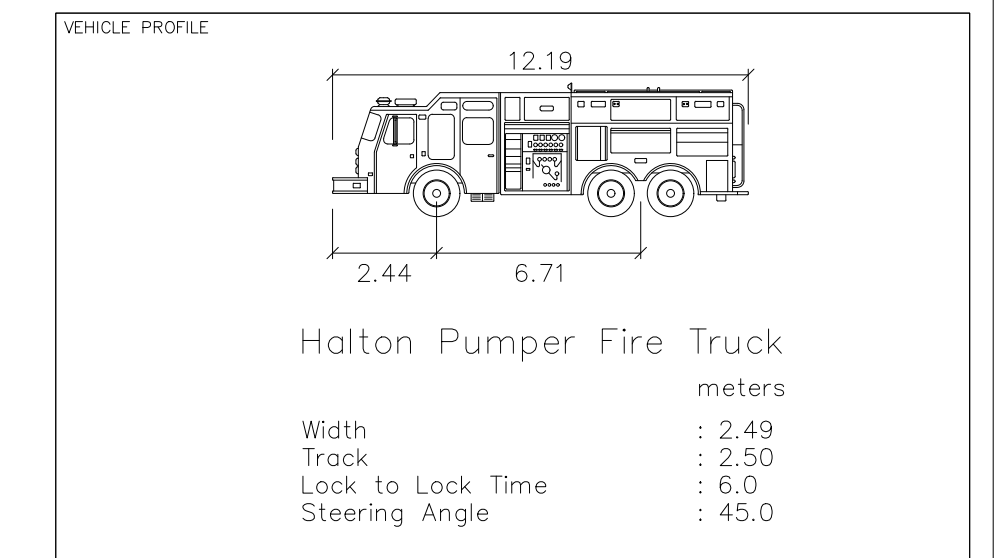
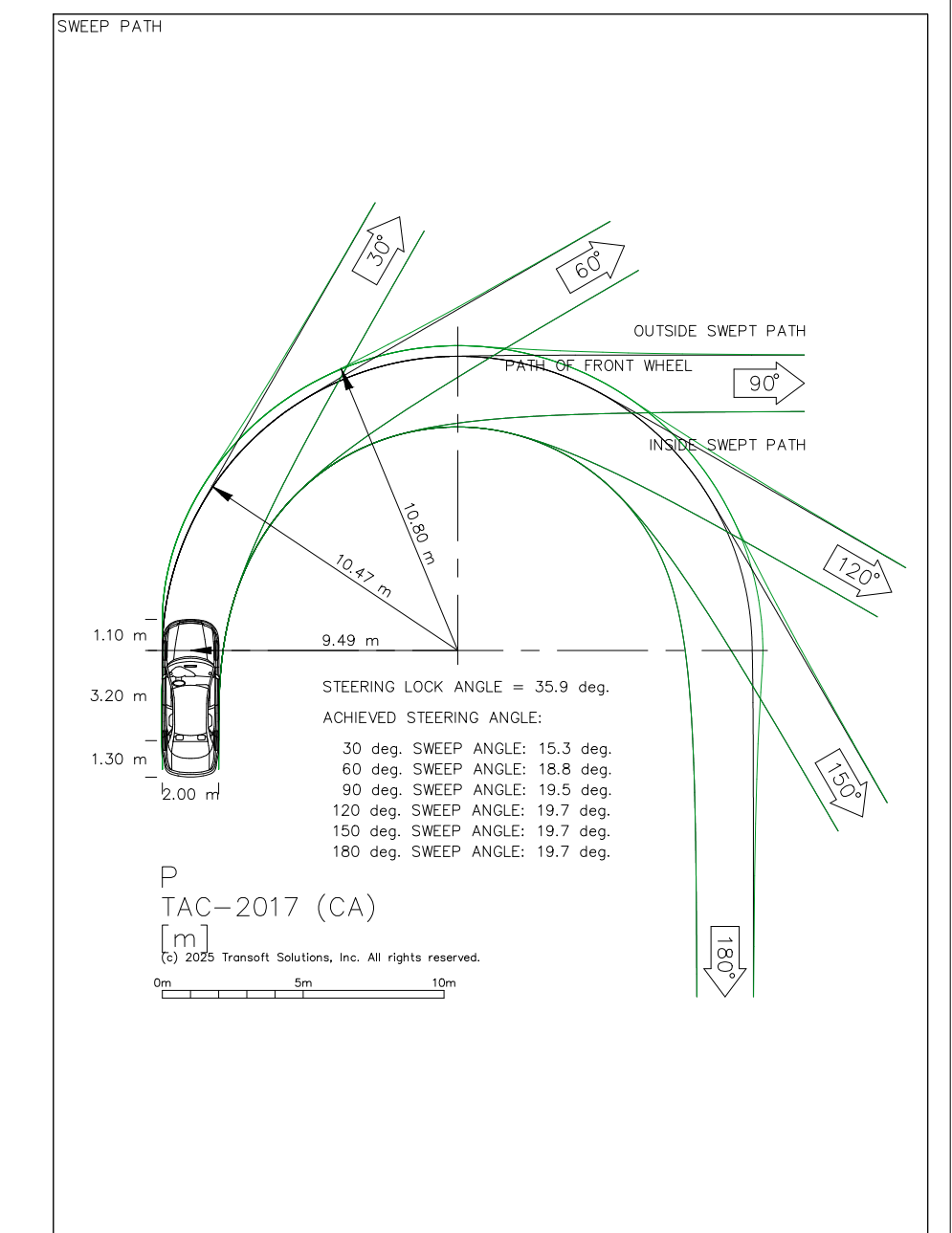
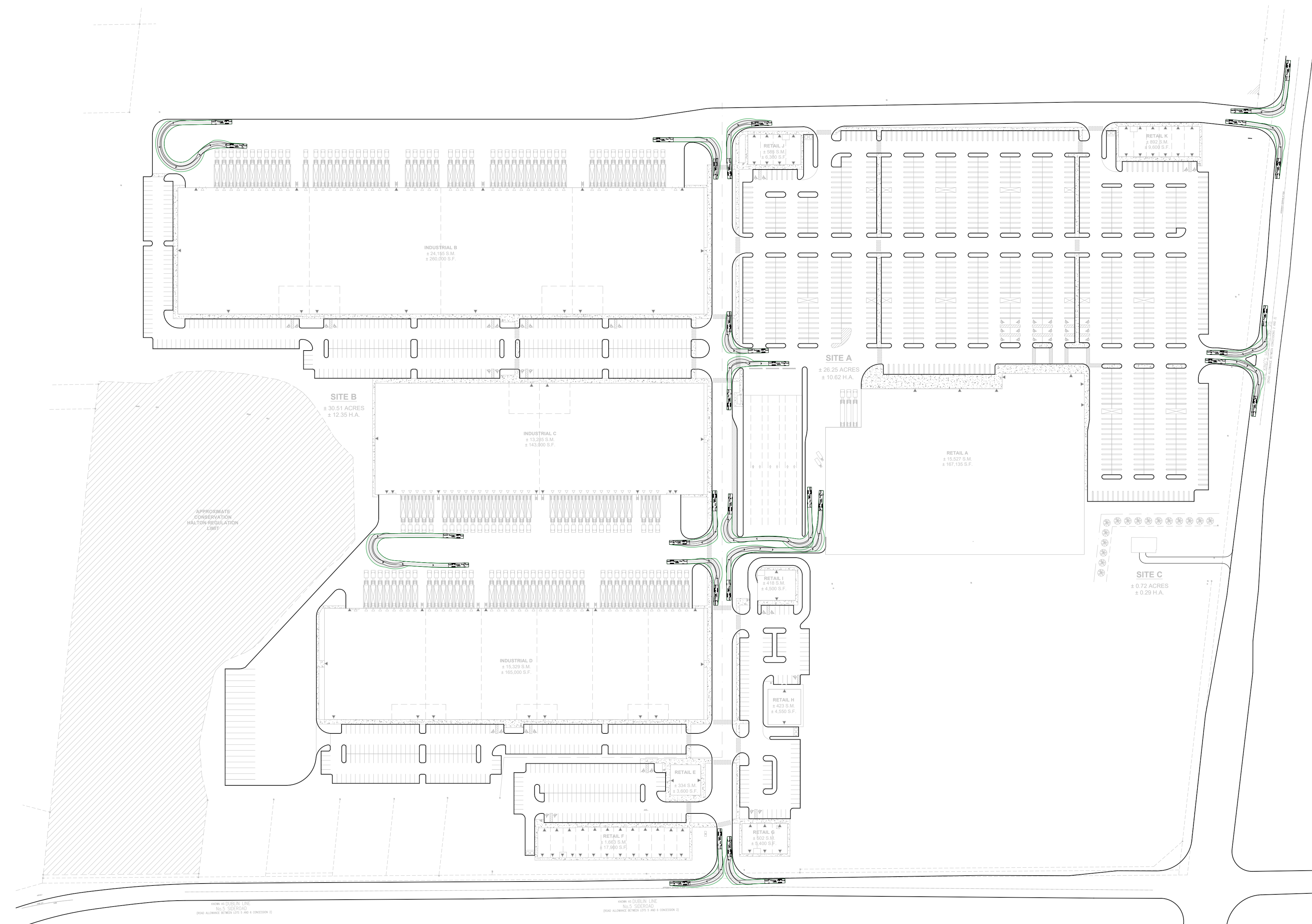


APPENDIX N:

Vehicle Turning Diagrams



FOR REVIEW
 NOT TO BE USED FOR CONSTRUCTION



No.	ISSUE	DATE: MM/DD/YYYY
1	ISSUED FOR SUBMISSION	11/14/2025

Project
 9094, REGIONAL ROAD 25
 TOWN OF HALTON HILLS

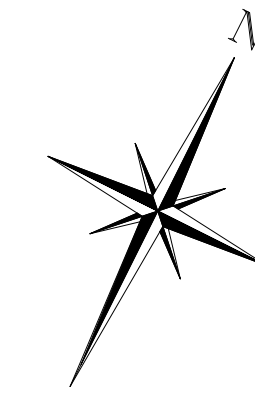
Drawing
 VEHICLE MANEUVERING ANALYSIS

CROZIER
 CONSULTING ENGINEERS

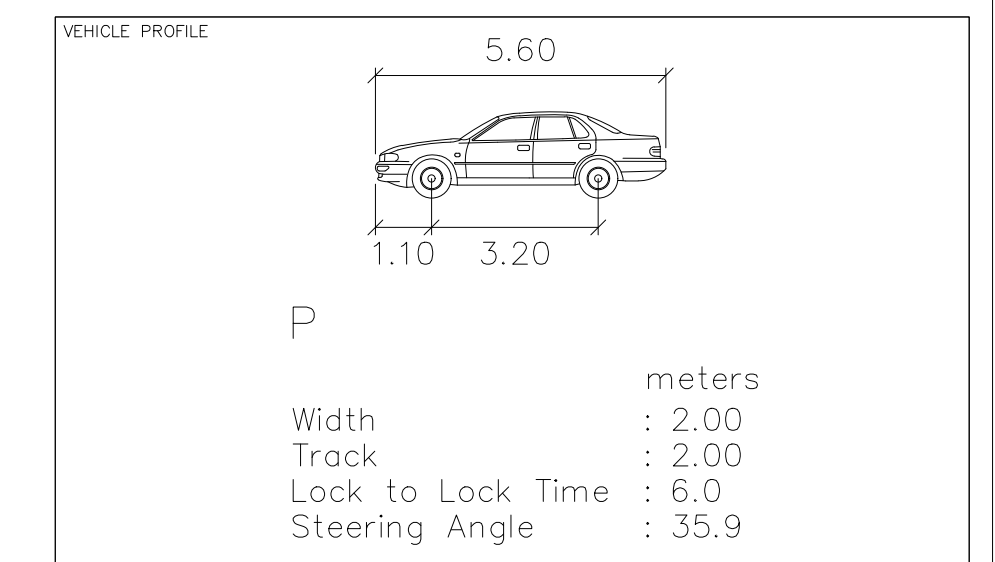
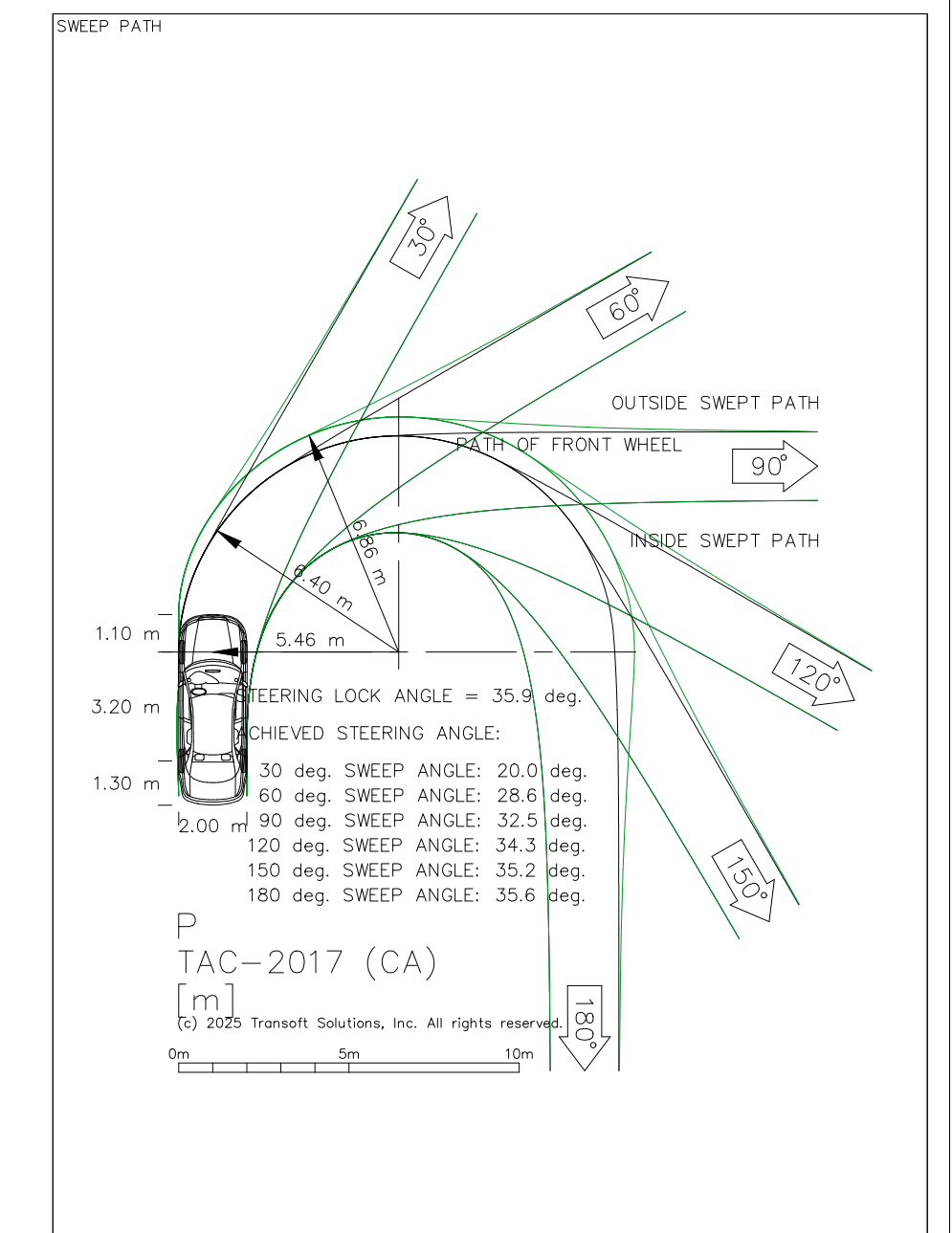
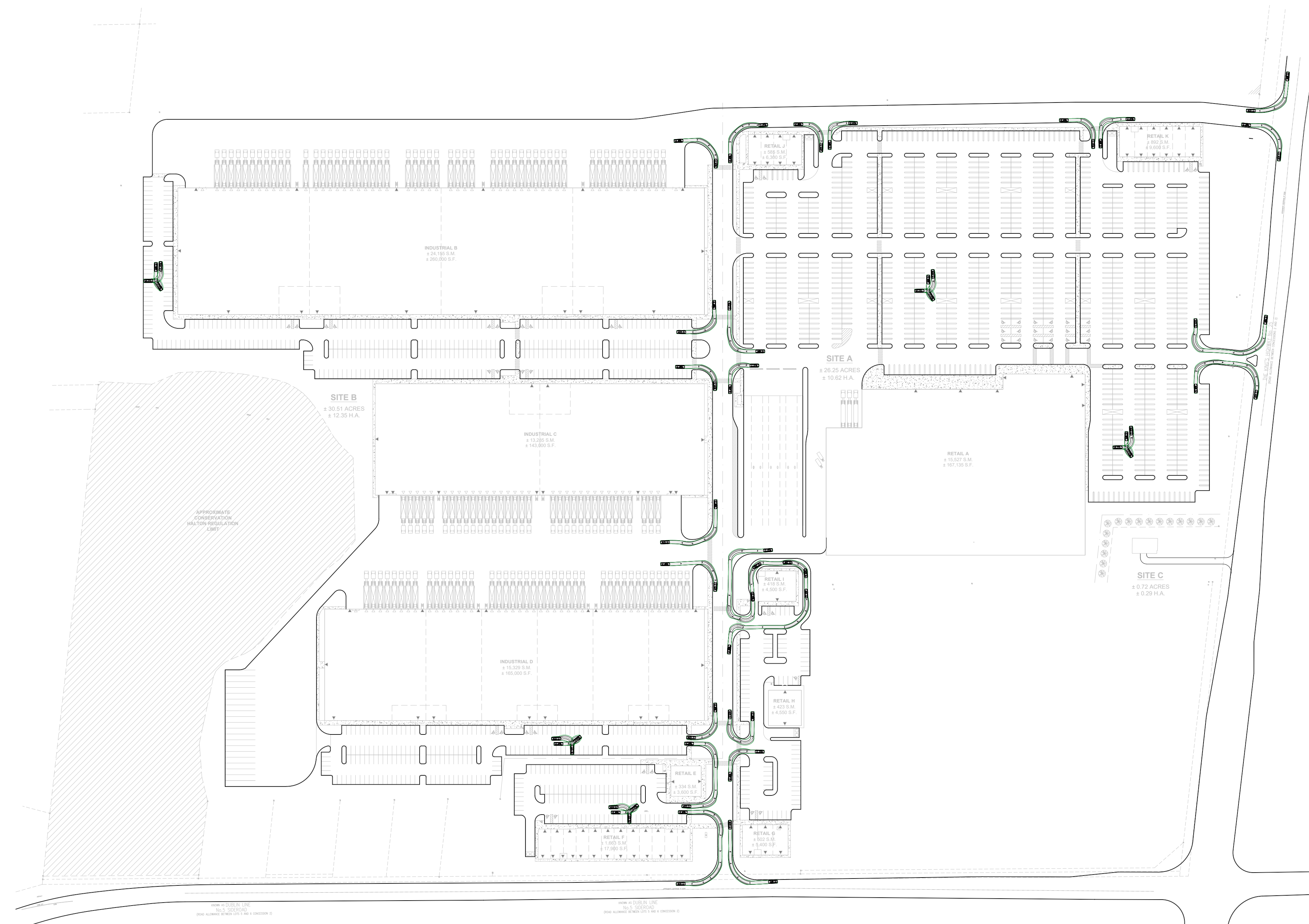
211 YONGE STREET
 SUITE 600
 TORONTO, ON, M5B 1M4
 416-477-3392 T
 WWW.CFCROZIER.CA
 INFO@CFCROZIER.CA

Drawn By	I.A.	Design By	I.A.	Project	2022-7556
Check By	M.Y.	Check By	M.L.	Scale	1:1500
				Drawing	T300

50 0m 50 100
 SCALE: 1:1500



FOR REVIEW
 NOT TO BE USED FOR CONSTRUCTION



No.	ISSUE	DATE: MM/DD/YYYY
1	ISSUED FOR SUBMISSION	11/14/2025

Project
 9094, REGIONAL ROAD 25
 TOWN OF HALTON HILLS

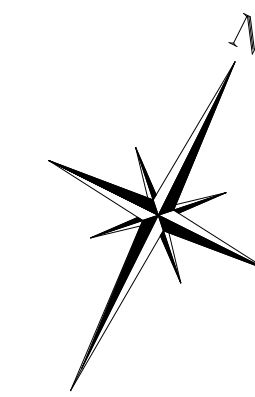
Drawing
 VEHICLE MANEUVERING ANALYSIS

CROZIER
CONSULTING ENGINEERS

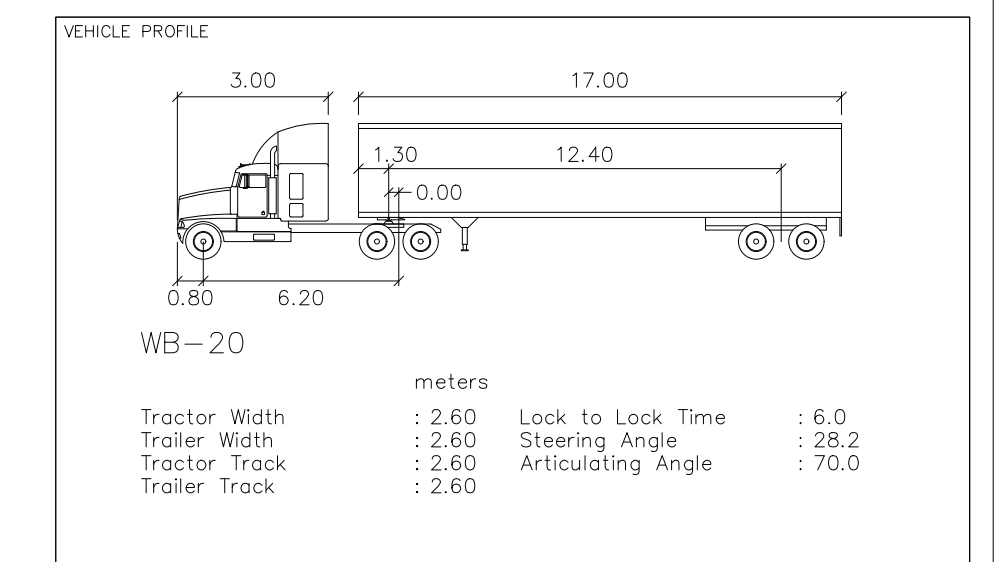
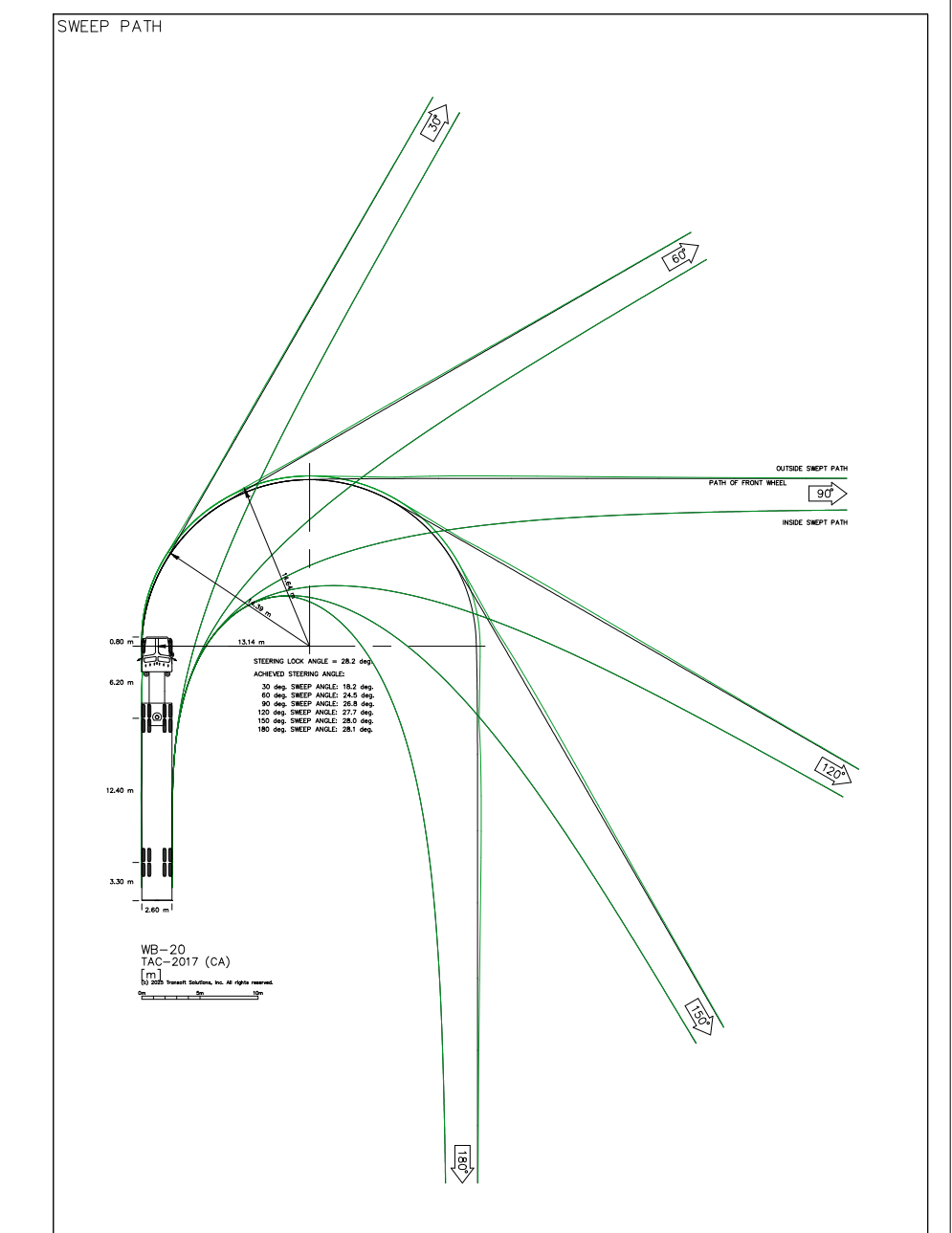
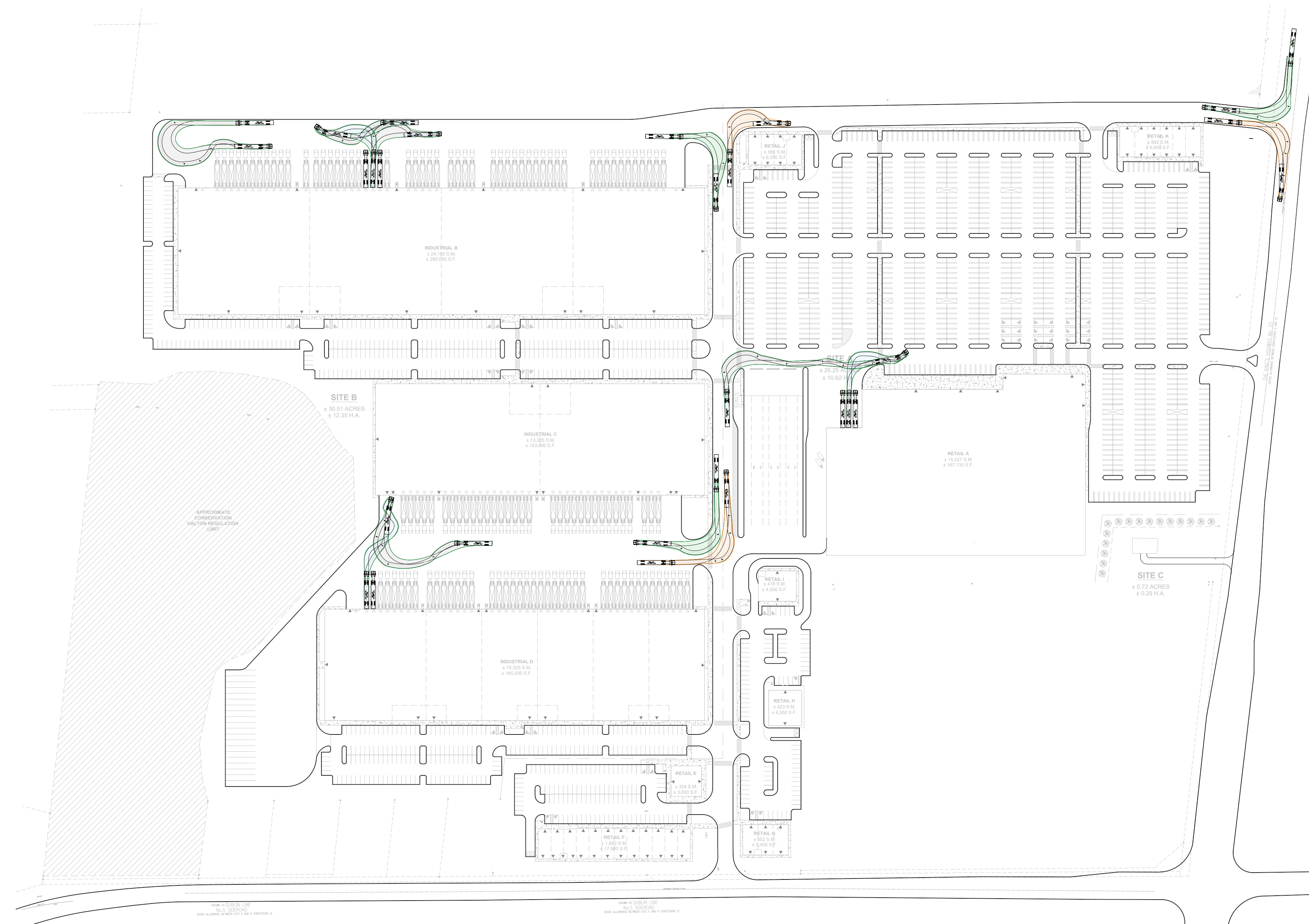
211 YONGE STREET
SUITE 600
TORONTO, ON, M5B 1M4
416-477-3392 T
WWW.CFCROZIER.CA
INFO@CFCROZIER.CA

Drawn By	I.A.	Design By		Project	2022-7556
Check By	M.Y.	Check By	M.L.	Scale	1:1500
				Drawing	T301

50 0m 50 100
 SCALE: 1:1500



FOR REVIEW
 NOT TO BE USED FOR CONSTRUCTION



No.	ISSUE	DATE: MM/DD/YYYY
1	ISSUED FOR SUBMISSION	11/14/2025

Project: 9094, REGIONAL ROAD 25
TOWN OF HALTON HILLS

Drawing: VEHICLE MANEUVERING ANALYSIS

CROZIER
CONSULTING ENGINEERS

211 YONGE STREET
SUITE 600
TORONTO, ON, M5B 1M4
416-477-3392 T
WWW.CFCROZIER.CA
INFO@CFCROZIER.CA

Drawn By: I.A.	Design By: I.A.	Project: 2022-7556
Check By: M.Y.	Check By: M.L.	Scale: 1:1500 Drawing: T302

